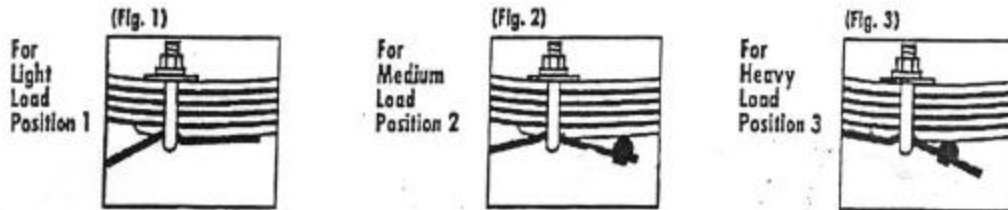


Leaf Spring Helpers

These Helpers are designed to give most vehicles equipped with leaf springs added stability and load bearing ability. No special tools are required for their installation.

This kit is mounted as an assist to the existing leaf springs on your vehicle. There are three load settings for your use, light, moderate, & heavy. Please determine prior to installation what level you wish to use.



There are two holes drilled in the leaf springs to help you adjust the amount of extra weight bearing capability the kit has (fig. 4). The round rivets that come with the kit are used in some of the applications. For instance, if you wish to have a light increase with your leaf spring helper kit it is not necessary to use the round rivets at all. If you wish for a moderate increase with your leaf spring helpers, place the rivets in the holes closest to the end of the leaf helpers (Hole A). For the maximum increase in your leaf spring helpers, place the rivets in the second holes in the leaf helpers (Hole B).

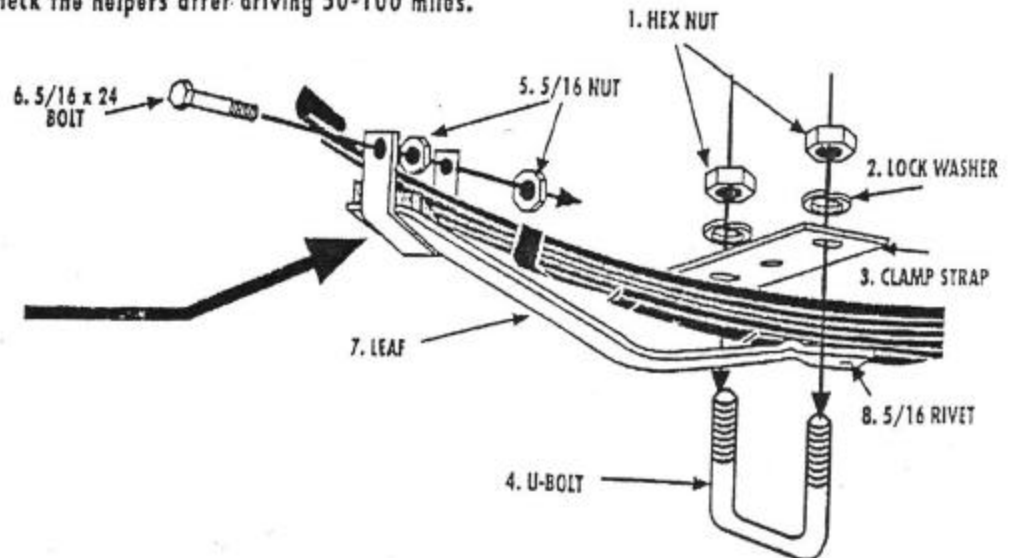


Prior to installing this kit, use all of the precautions you employ when changing rear tires. Block front wheels, engage emergency brake, etc. See your vehicle owner's manual for instructions for your particular vehicle.

Jack up the entire rear end and use jack stands or heavy duty blocks under the frame of the car when you have it elevated. Do not perform under-car work when only using a tire jack.

1. Remove the rear tires.
2. Place a Leaf Spring Helper in position as seen in the illustration (fig. 5). Position it to the rear of the axle and secure it in place by running a bolt and nuts through the metal bracket. If the vehicle's leaf springs are less than 2-1/2" wide, bend the brackets inward (Fig. 5a).
3. Take the "U" shaped bolt and secure it onto the leaf springs, from the bottom up, through the recessed area in the helper. See illustration for positioning (Fig. 5).
4. Tighten all nuts in all areas.
5. Make sure no part of the Leaf Spring Helper Kit makes contact with other vehicle parts.
6. Repeat the installation with the other side, and lower vehicle to ground. Check to ensure all parts are solid and in place.

Recheck the helpers after driving 50-100 miles.



PARTS LIST